



ENTRUST

Quick Install Guide

Entrust Artista® CE875 Instant Financial Issuance System with Embossing Module

October 2022
527762-001EN, Rev K

Attention: CE870™ System Users

If you are converting your CE870 system to a CE875 Instant Issuance System, refer to the *CE870 to CE875 System Upgrade Installation Instructions* located in the Upgrade Kit box.

WARNING: This product contains chemicals, including lead, known to the State of California to cause cancer, and birth defects or other reproductive harm.

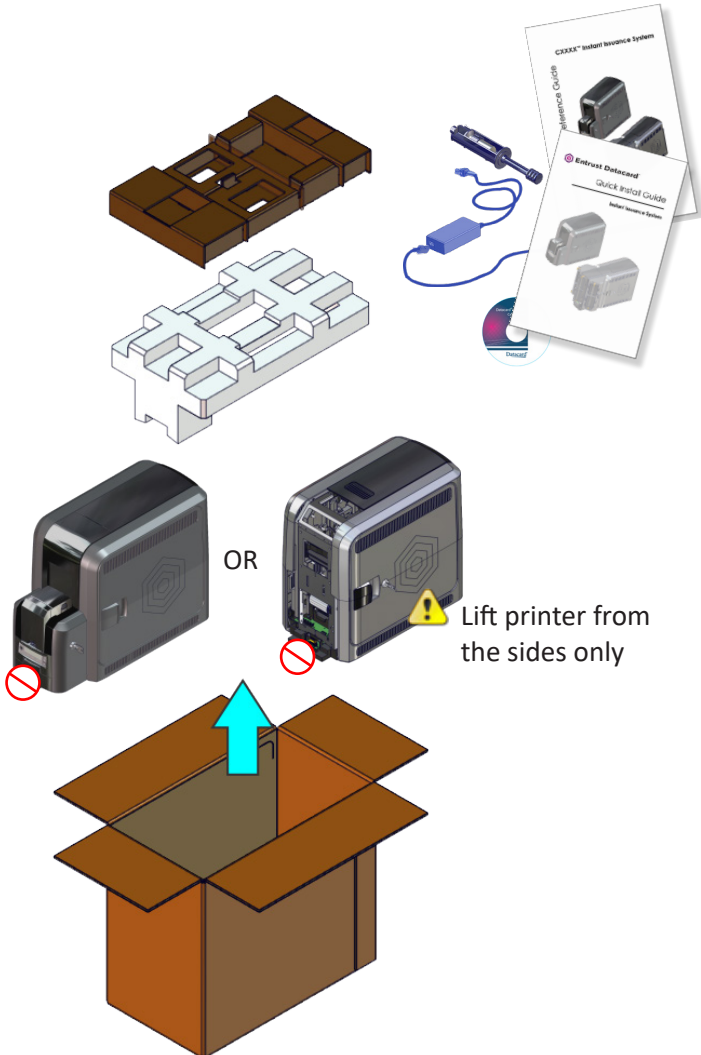
Wash hands after handling.



WARNING: This product can expose you to chemicals including Di(2-ethylhexyl)phthalate (DEHP), which is known to the State of California to cause cancer, and Di(2-ethylhexyl)phthalate (DEHP) and Butyl benzyl phthalate (BBP), which are known to the State of California to cause birth defects or other reproductive harm. For more information, go to www.P65Warnings.ca.gov and www.datacard.com/califpropwarning.

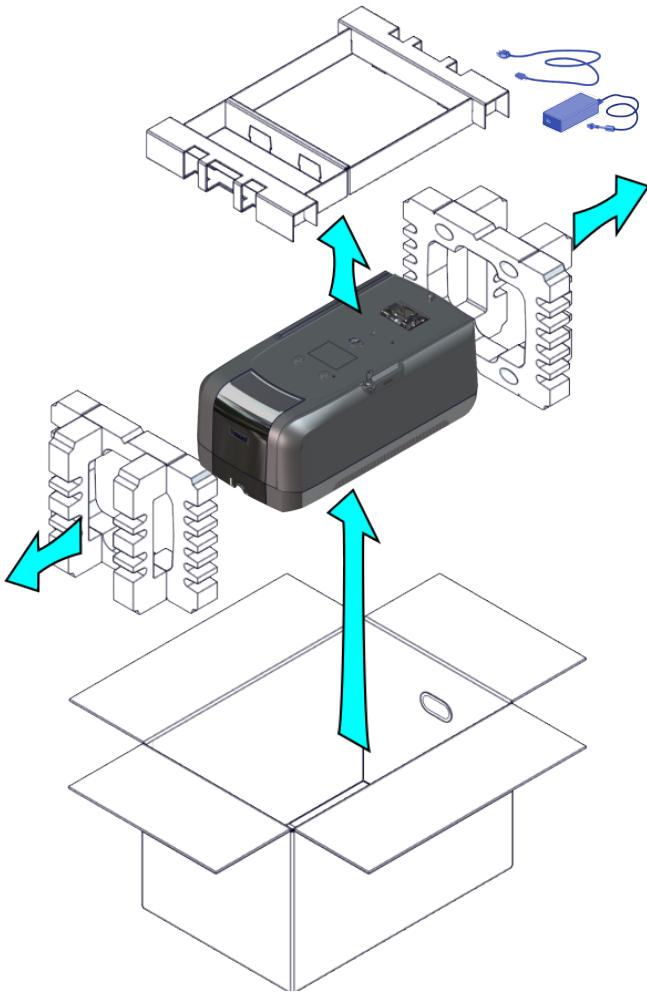
For detailed installation instructions, refer to the *Artista CR825 and CE875 Instant Issuance System Installation and Administrator's Guide*.

1 Unpack the Printer

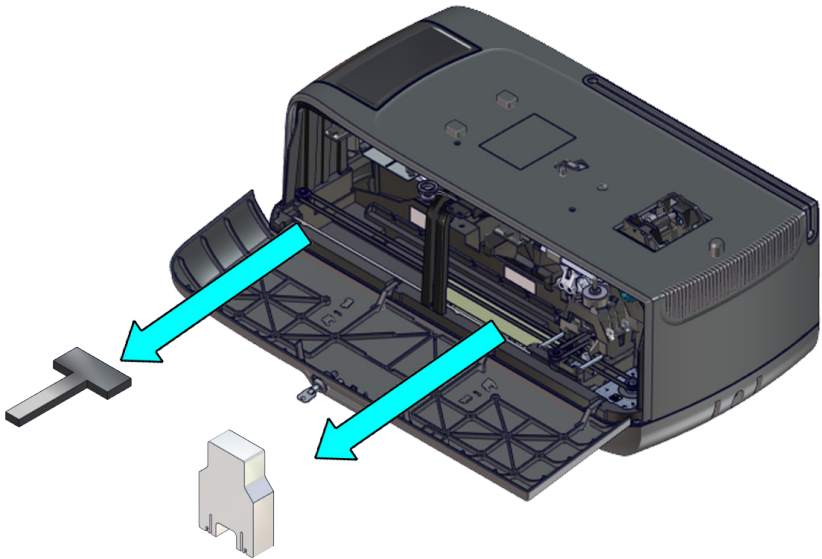


CE875 Instant Issuance System

2 Unpack the Embosser

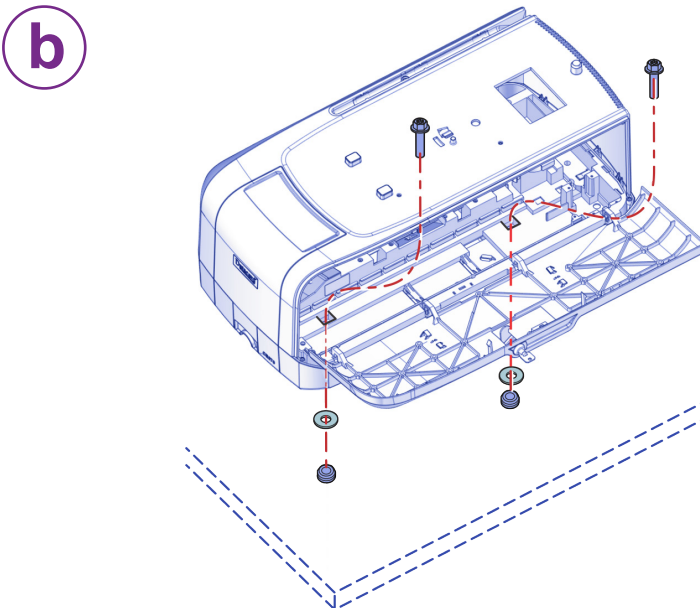
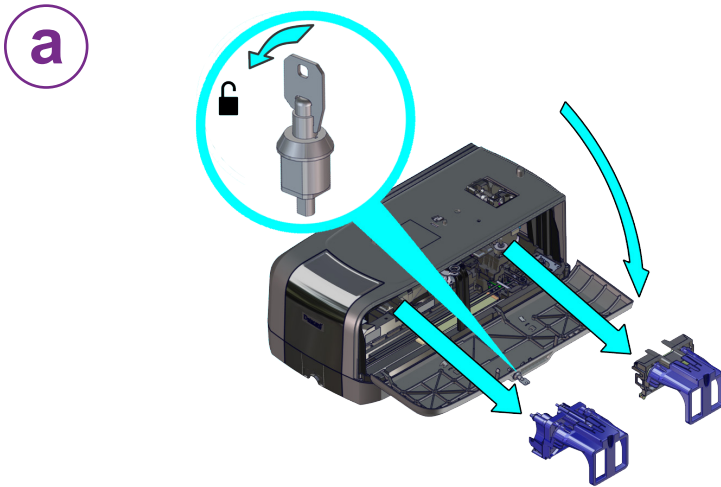


3 Remove Shipping Items From the Embosser



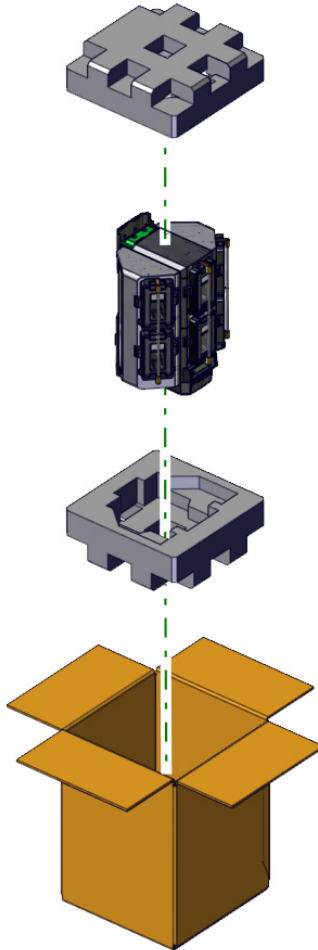
CE875 Instant Issuance System

Secure the Embosser



5 Install the Optional Multi-Hopper

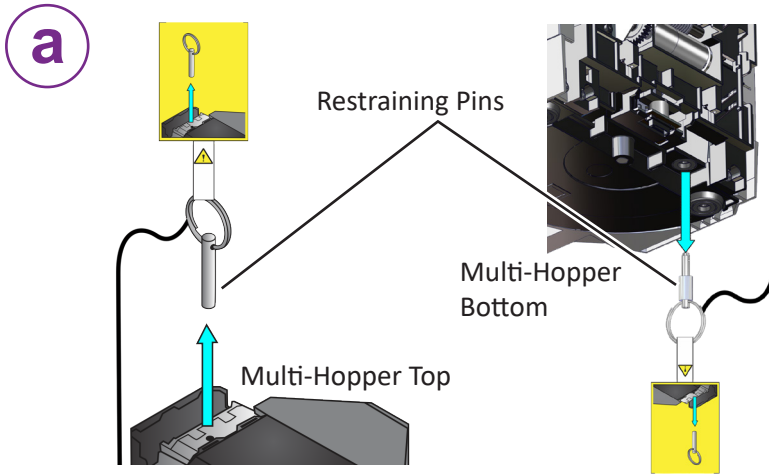
1. Unpack the multi-hopper



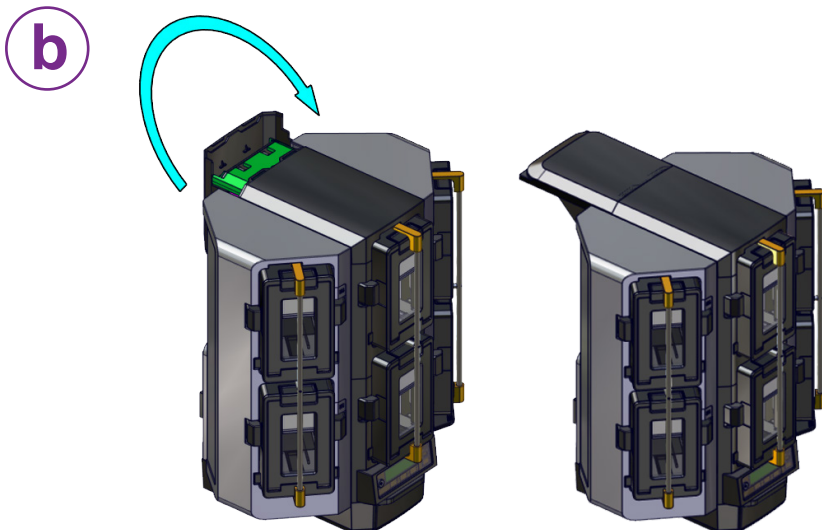
CE875 Instant Issuance System

Install the Optional Multi-Hopper (cont.)

2. Prepare the multi-hopper

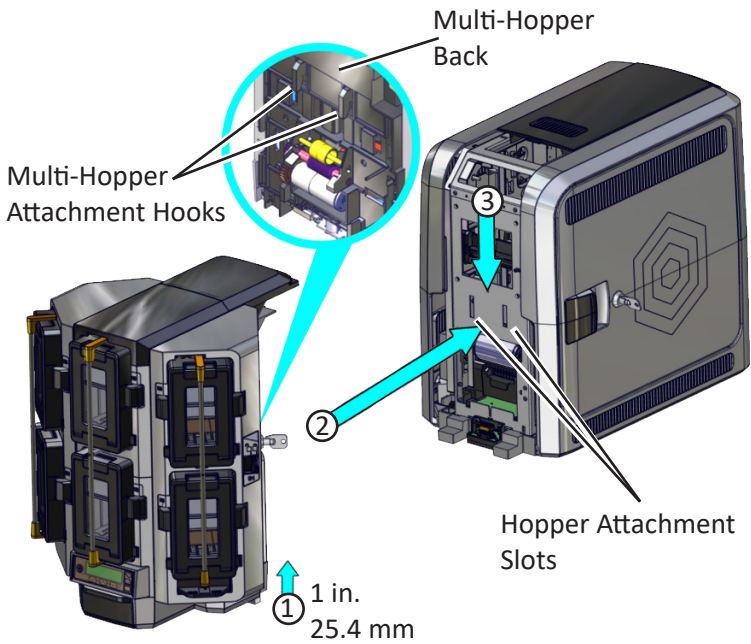


Save the restraining pins after removing them from the multi-hopper. They are required if you need to repackage and return the multi-hopper for service.



Install the Optional Multi-Hopper (cont.)

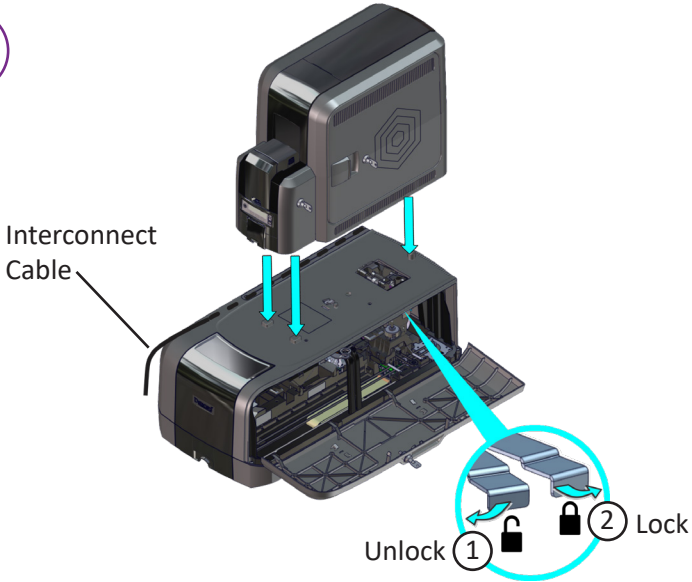
3. Assemble the multi-hopper printer



CE875 Instant Issuance System

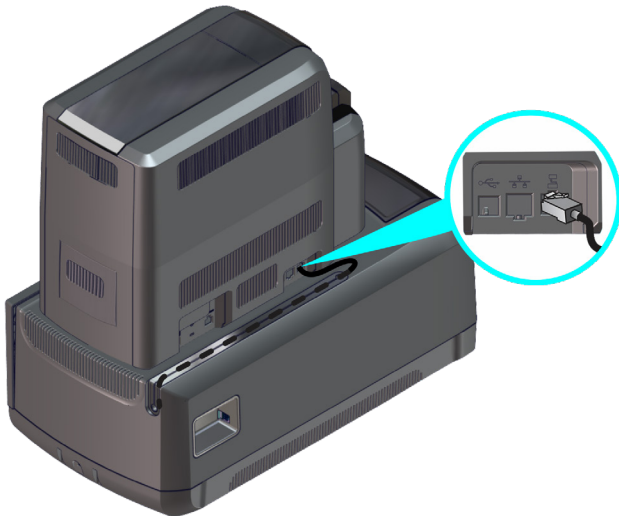
6 Assemble the System

a



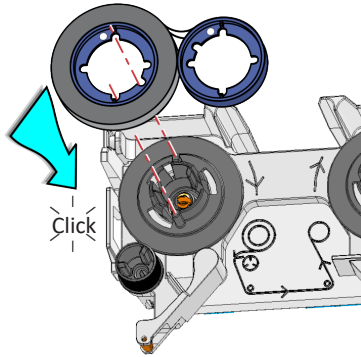
b

Connect the interconnect cable.

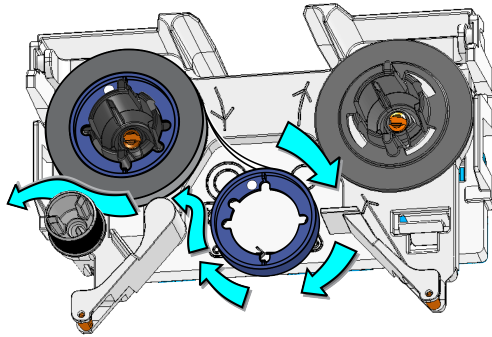


7 Load the Indent Ribbon

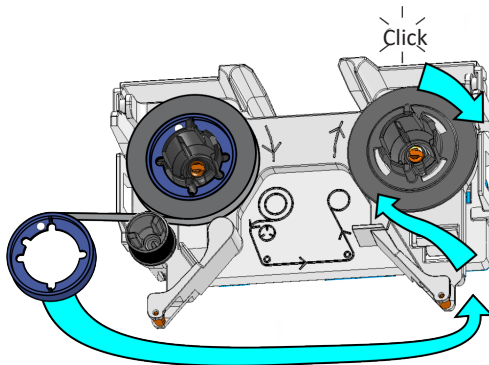
a



b



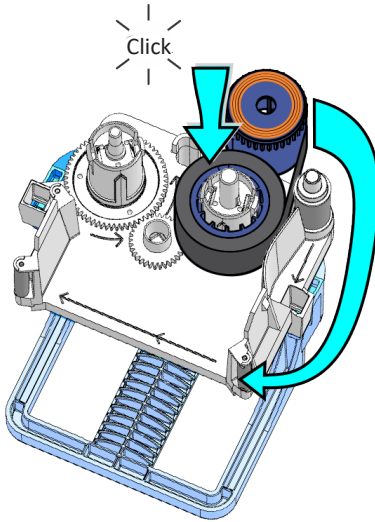
c



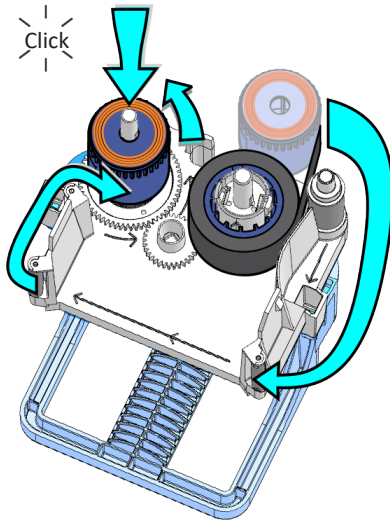
CE875 Instant Issuance System

8 Load the Topping Foil

a



b



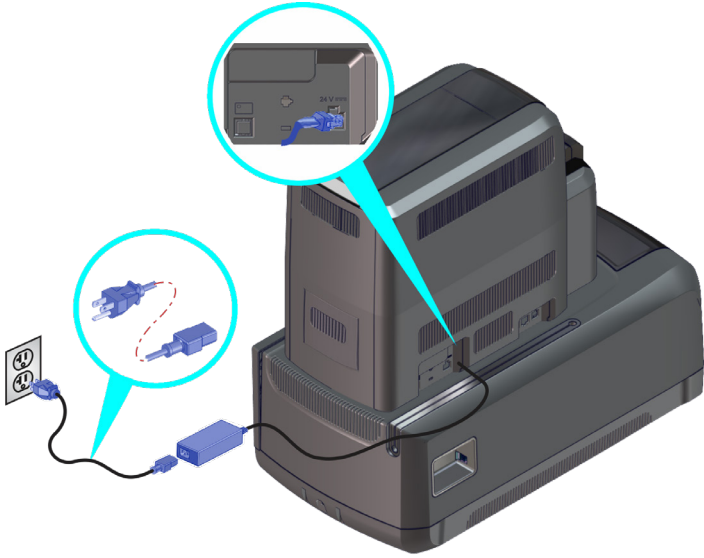
9 Install the Embosser Cartridges



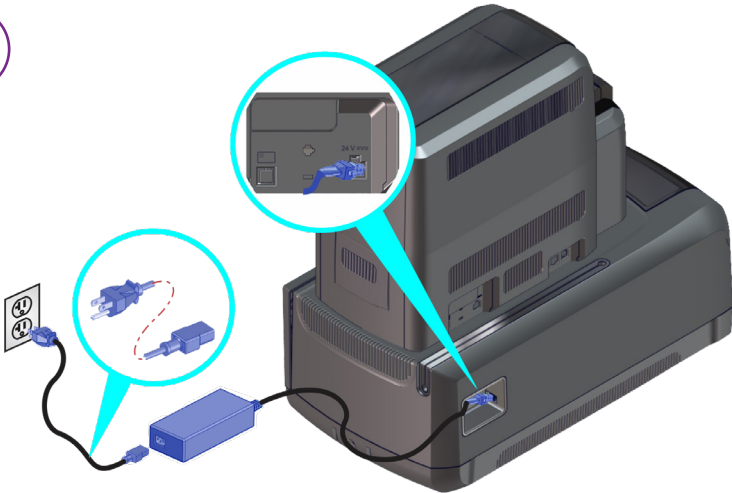
CE875 Instant Issuance System

10 Connect the Power Cords

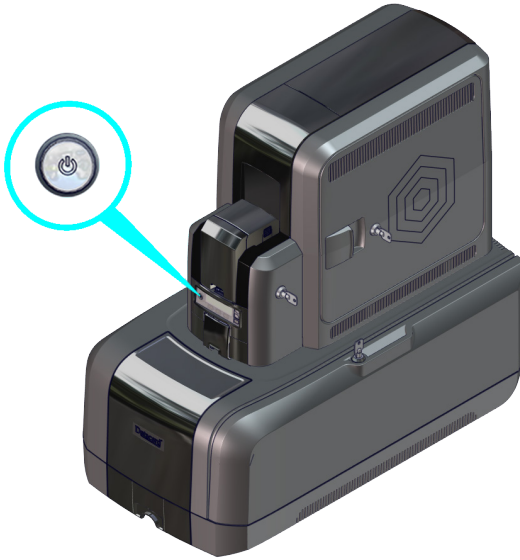
a



b



11 Power On the System



12 Clean the Printer

Remove the isopropanol cleaning card from the ink ribbon package. Continue with:

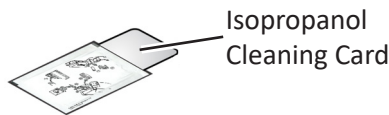
[“Single-Hopper Printer”](#)

[“Multi-Hopper Printer”](#) on page 15



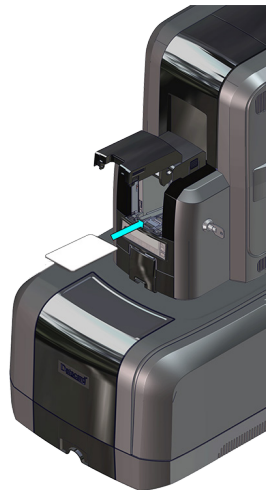
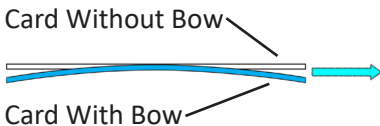
Single-Hopper Printer

- a** Remove the cleaning card from its package.



- b** Load the cleaning card in the input hopper.

If the cleaning card appears bowed, insert it as shown.

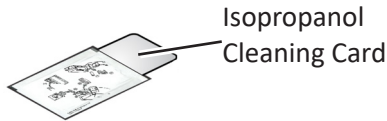


- c** Continue with [“Start the Cleaning Cycle”](#) on page 16.

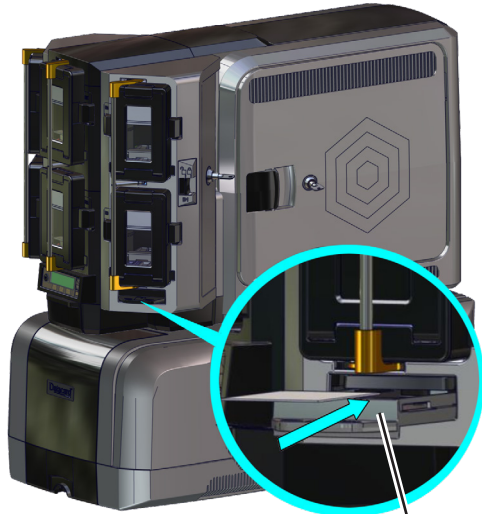
Clean the Printer (cont.)

Multi-Hopper Printer

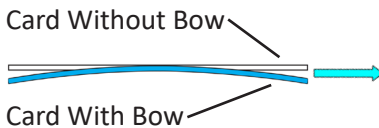
- a** Remove the cleaning card from its package.



- b**
1. Pull out the multi-hopper exception slide and insert the cleaning card.
 2. Push in the exception slide.



If the cleaning card appears bowed, insert it as shown.



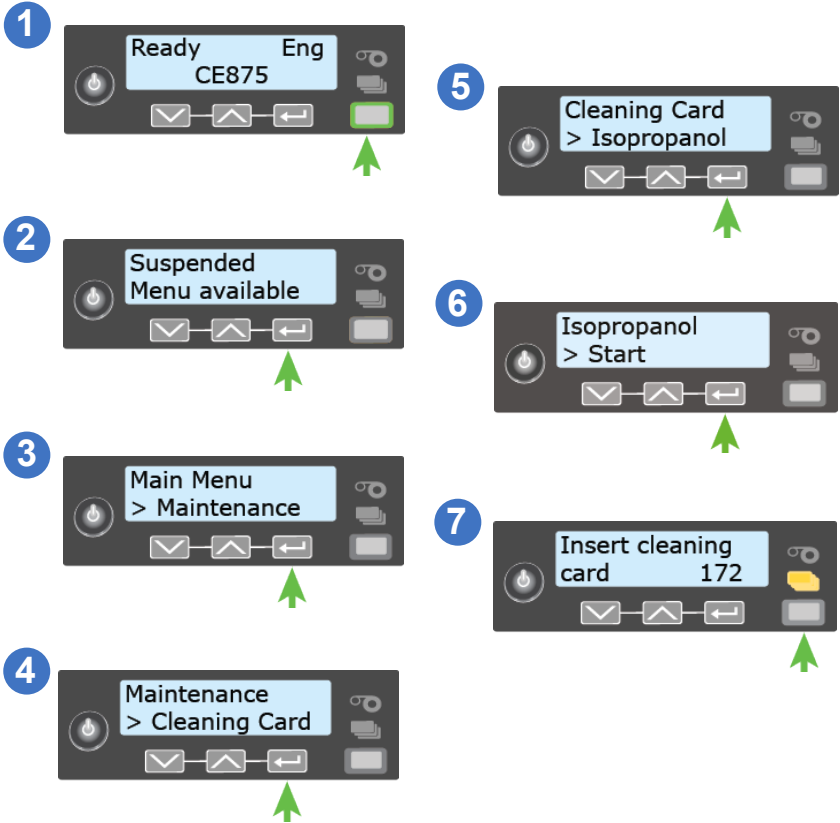
Exception Slide

- c** Continue with [“Start the Cleaning Cycle”](#) on page 16.

CE875 Instant Issuance System

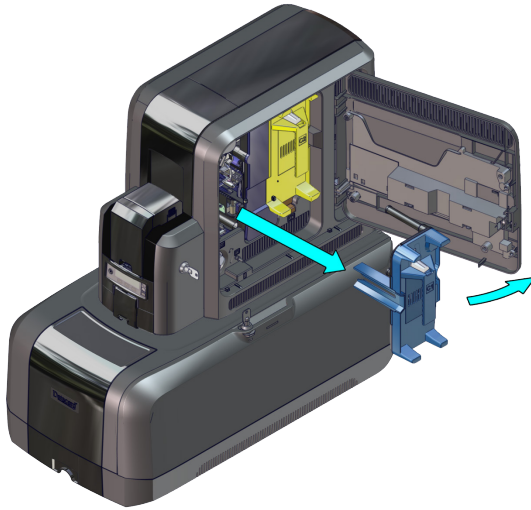
Clean the Printer (cont.)

Start the Cleaning Cycle

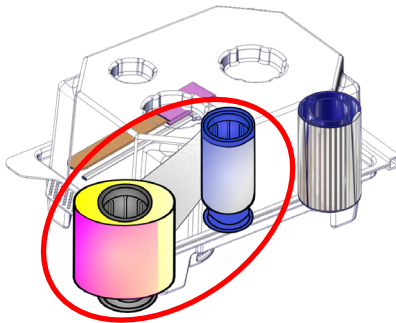


13 Install the Ink Ribbon

a



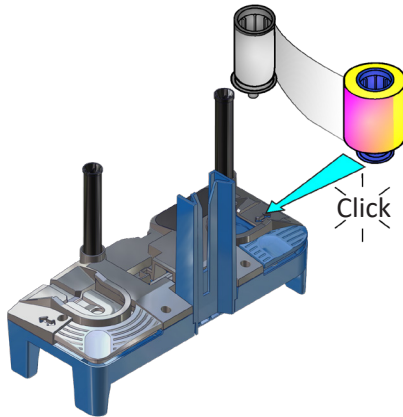
b



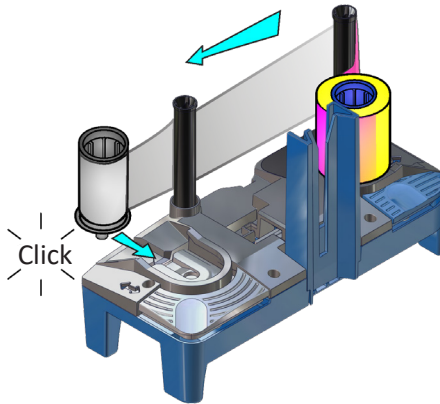
CE875 Instant Issuance System

Install the Ink Ribbon (cont.)

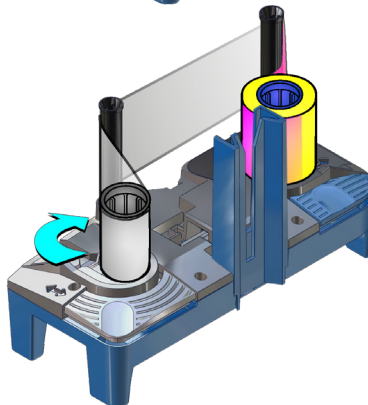
c



d

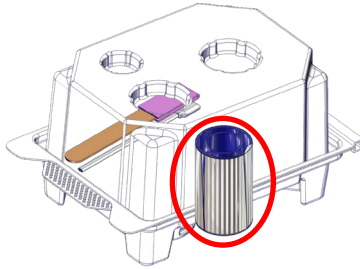


e

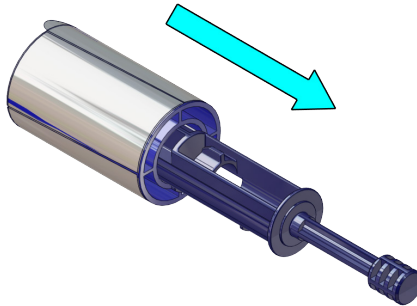


14 Install the Cleaning Sleeve

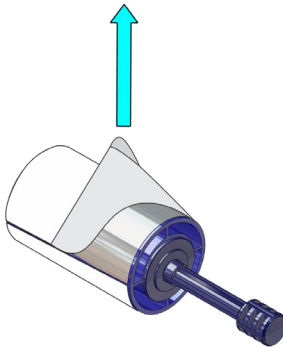
a



b



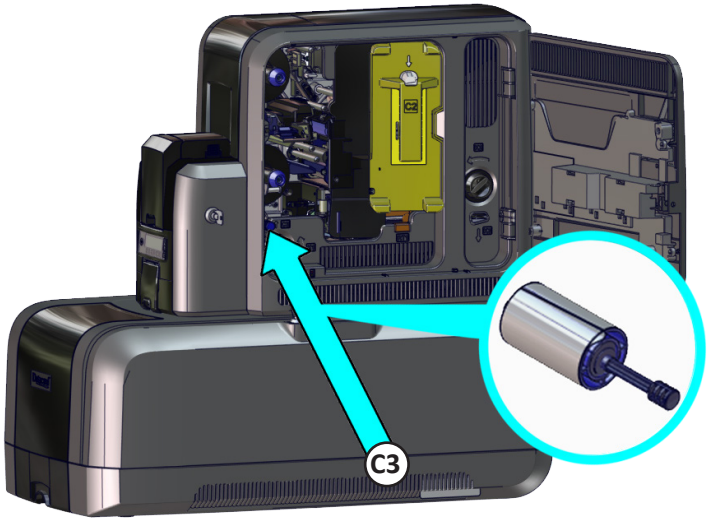
c



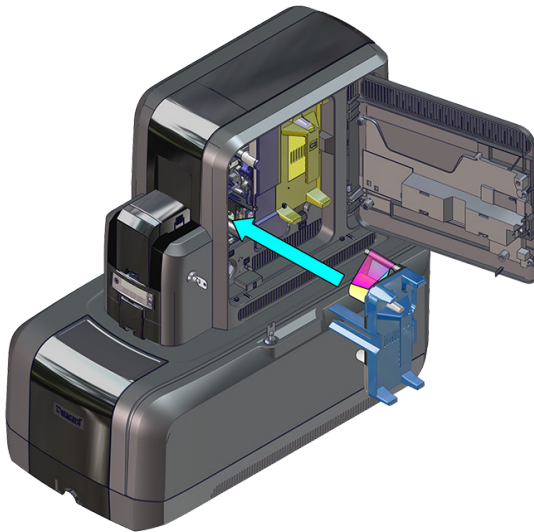
CE875 Instant Issuance System

Install the Cleaning Sleeve (cont.)

d

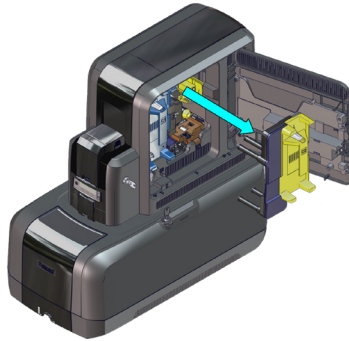


e

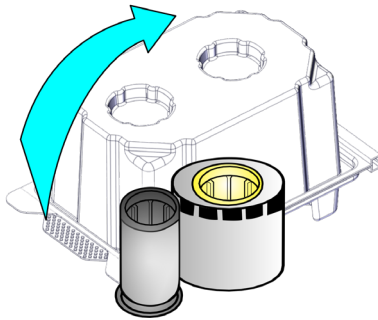


15 Install the Retransfer Film

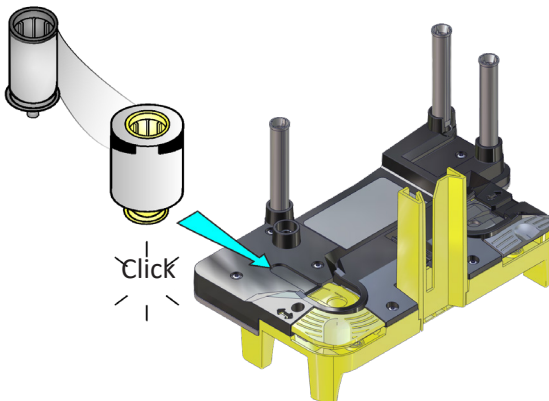
a



b



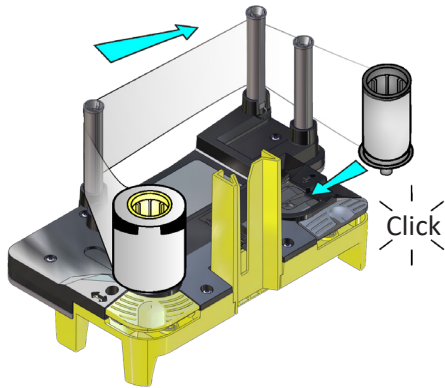
c



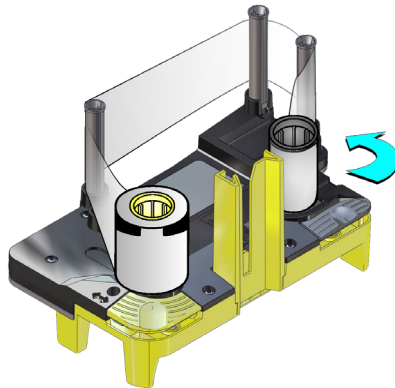
CE875 Instant Issuance System

Install the Retransfer Film (cont.)

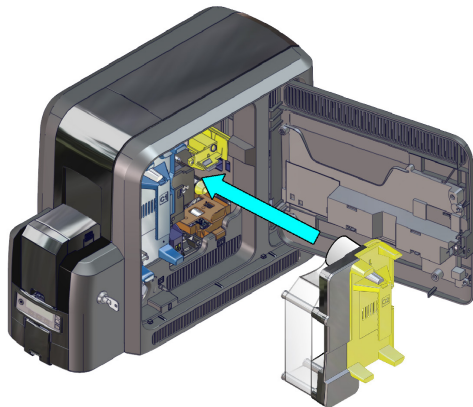
d



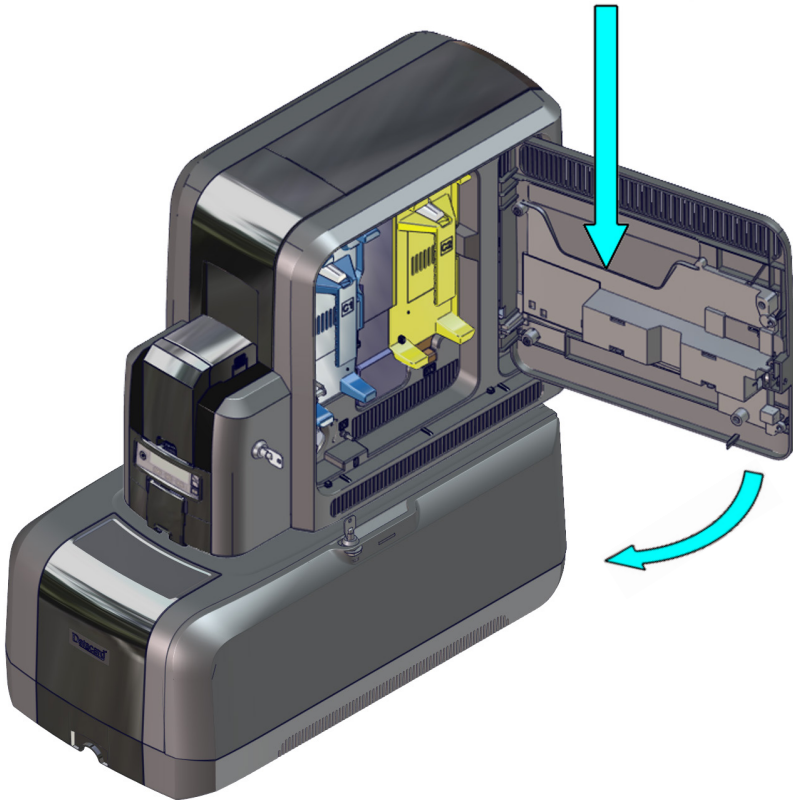
e



f



16 Store the User Reference Guide

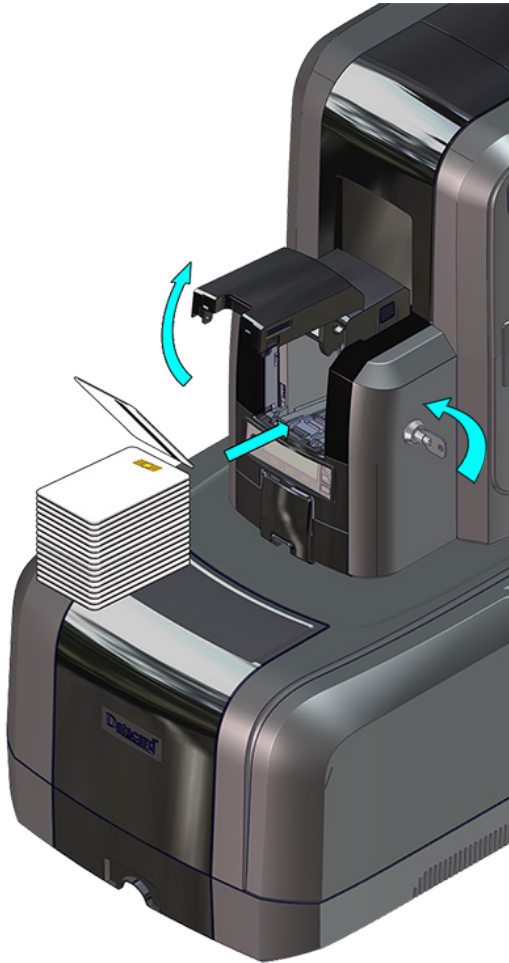


17 Load Cards

“Single-Hopper Printer”

“Multi-Hopper Printer” on page 25

Single-Hopper Printer

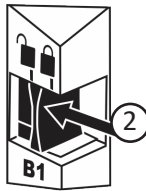


Load Cards (cont.)

Multi-Hopper Printer

a

1. Unlock the multi-hopper lock.
2. Slide the lock bar release button (B1) to the left.
3. Rotate a lock bar to the left.

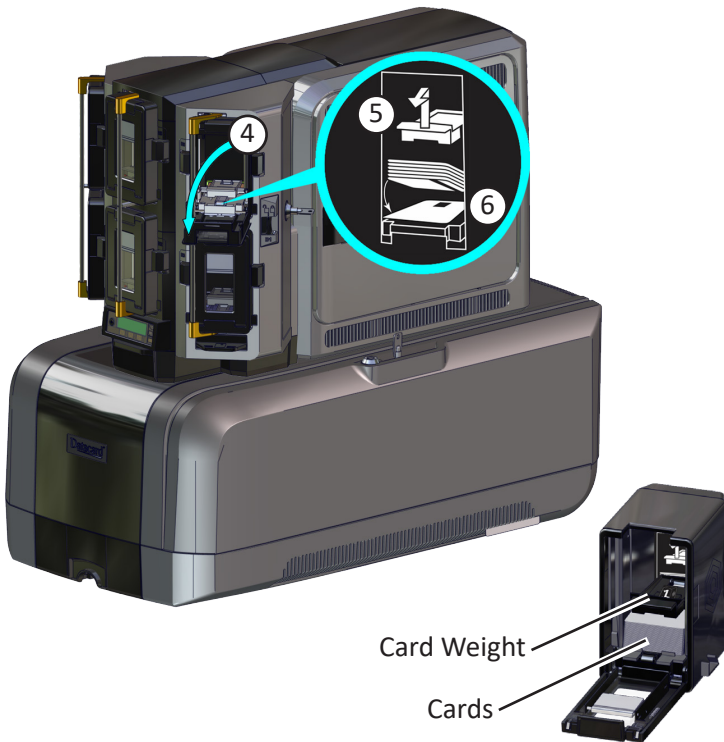


CE875 Instant Issuance System

Load Cards (cont.)

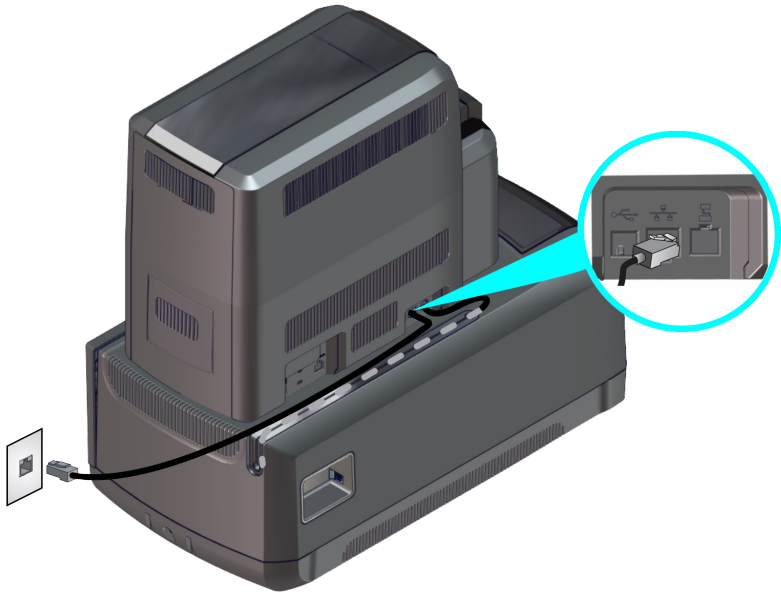
b

4. Press the cartridge release button at the top of the cartridge and open the cartridge door.
5. Lift the card weight to the top of the cartridge and pull it forward until it locks in position.
6. Load the cards into the cartridge.
7. Close the cartridge door to release the card weight so that it rests on top of the cards.



8. Repeat for each input hopper cartridge.
9. Return all locks to the locked position when finished.

18 Connect the Network Data Cable



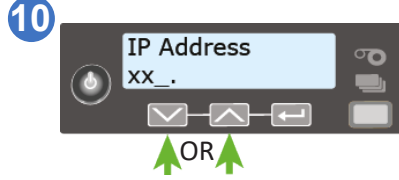
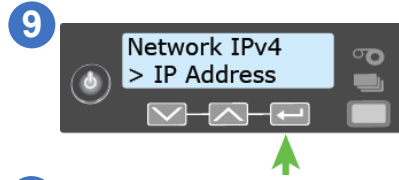
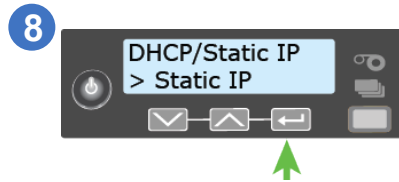
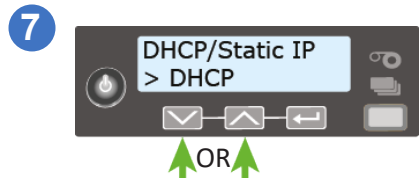
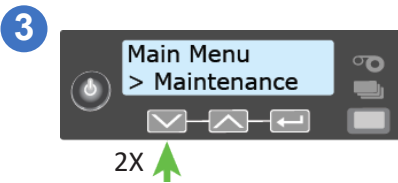
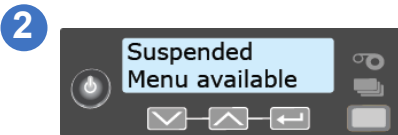
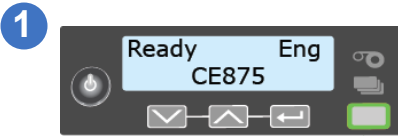
19 Set a Static IP Address

- a** IP Address _____
Subnet Mask _____
Gateway Address _____

CE875 Instant Issuance System

Set a Static IP Address (cont.)

b



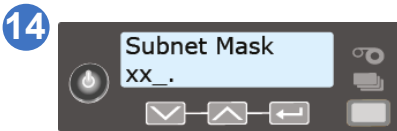
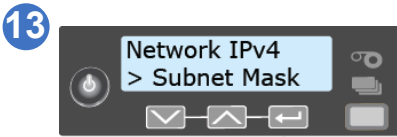
Press until correct digit displays



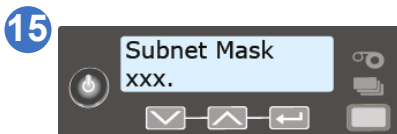
Repeat 10 & 11 for each section



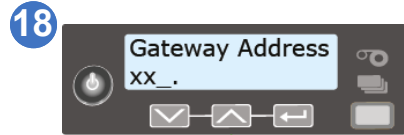
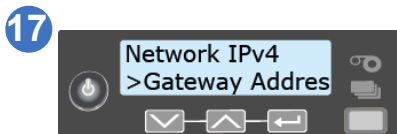
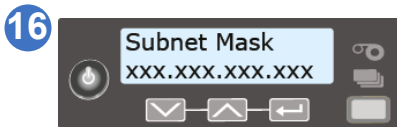
Set a Static IP Address (cont.)



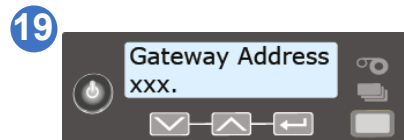
OR
Press until correct digit displays



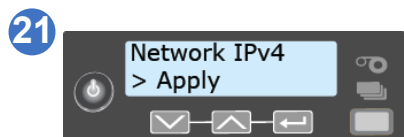
Repeat 14 & 15 for each section



OR
Press until correct digit displays

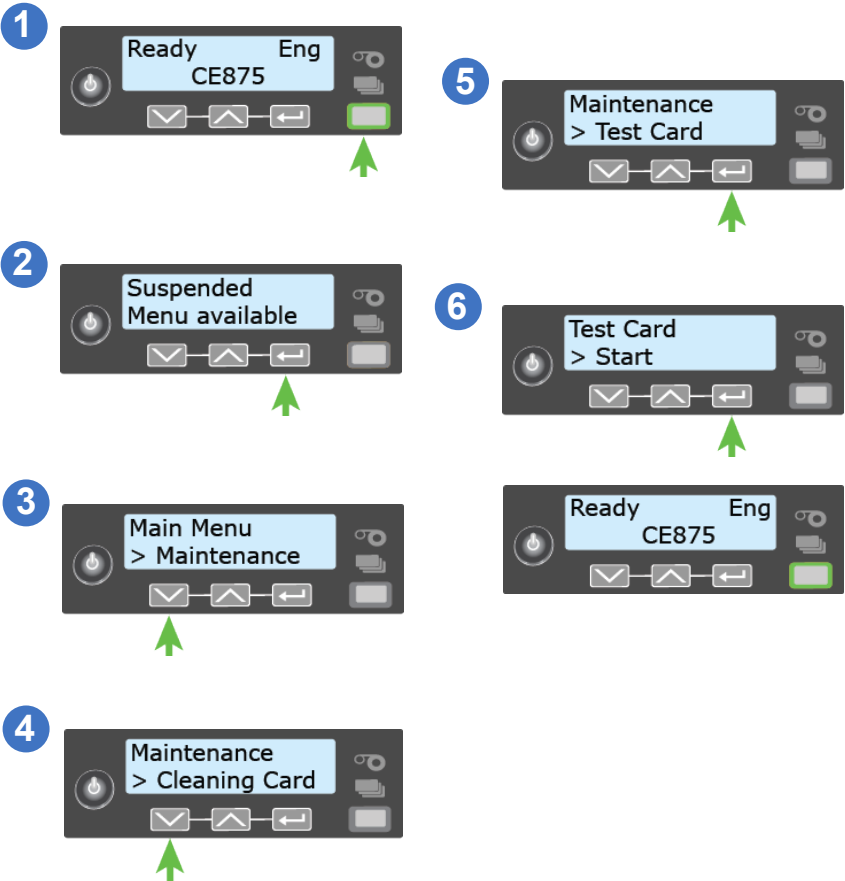


Repeat 18 & 19 for each section



Press the Power button to power off the printer. Restart the printer and verify that the static IP address is correct.

20 Print a Test Card (Optional)



21 Next Steps

- Refer to the printer's *Installation and Administrator's Guide* for complete installation instructions.
- Define the printer to Entrust® Adaptive Issuance™ Instant Financial Issuance (formerly CardWizard). Refer to the *Card Printers in Adaptive Issuance Instant Financial Issuance Software Setup Guide*.
- Refer to your Instant Financial Issuance documentation for complete information about using Instant Financial Issuance software.

CE875 Instant Issuance System

Notes

Notes



ENTRUST

1187 Park Place

Minneapolis, Minnesota 55379

952.933.1223 • 952.933.7971 Fax

www.entrust.com

Entrust, Sigma and the hexagon design are trademarks, registered trademarks and/or service marks, and Datacard is a registered trademark and service mark, of the Entrust Corporation in the United States and other countries. All other trademarks are the property of their respective owners.

© 2016-2022. The design and information contained in these materials is protected by US and international copyright law.