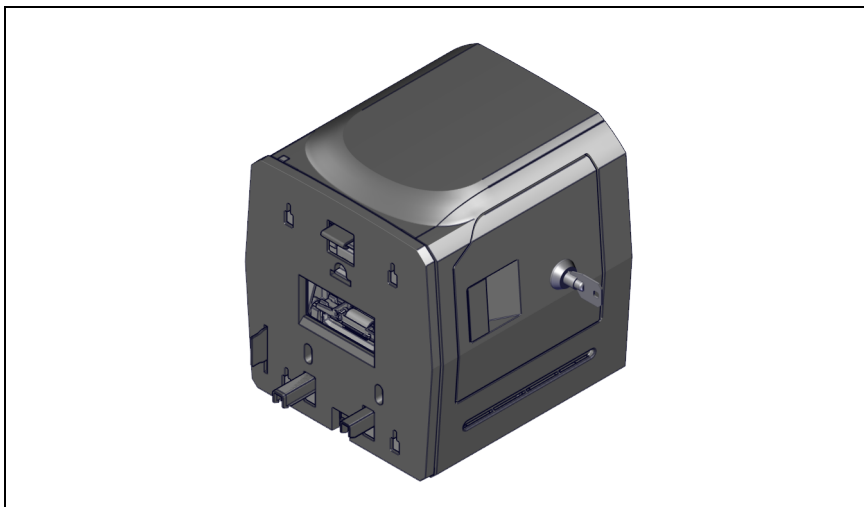




**ENTRUST**

## **Rear Indent Module (RIM) Upgrade Installation Instructions**



These instructions apply to the Entrust Sigma DS4 Instant Financial Issuance System and the following upgrade kits:

<b>Upgrade Kit</b>	<b>DS4</b>
Rear Indent Module (RIM) Upgrade Kit	Yes



The Rear Indent Module(RIM) requires printer firmware version 4.2.1 or newer.

Make sure the printer firmware is updated before the installation of the RIM with the printer.

## California Proposition 65 Compliance

**WARNING:** This product contains chemicals, including lead, known to the State of California to cause cancer, and birth defects or other reproductive harm. ***Wash hands after handling.***

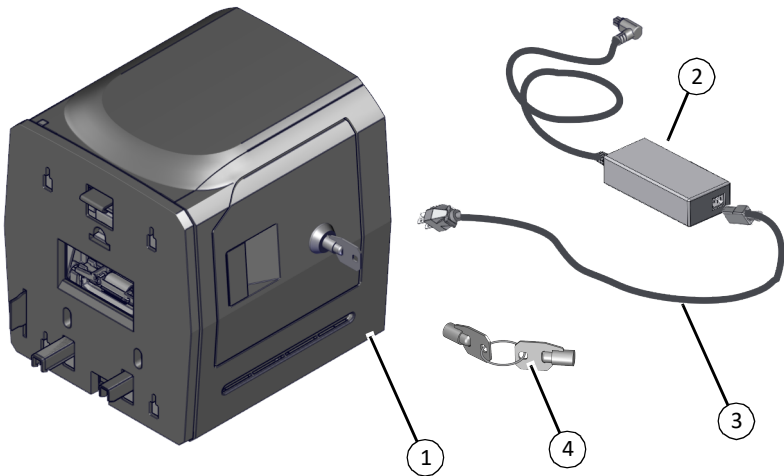


**WARNING:** This product can expose you to chemicals including Di(2-ethylhexyl) phthalate (DEHP), which is known to the State of California to cause cancer, and Di(2-ethylhexyl)phthalate (DEHP) and Butyl benzyl phthalate (BBP), which are known to the State of California to cause birth defects or other reproductive harm. For more information go to [www.P65Warnings.ca.gov](http://www.P65Warnings.ca.gov) and <https://www.entrust.com/legal-compliance/environmental-product-certifications>.

## Upgrade Kit Contents

The following parts are included in the upgrade Kit:

Item	Qty.	Description
1	1	Rear Indent Module (RIM)
2	1	Power Supply
3	1	Power Cord
4	1	Lock Keys

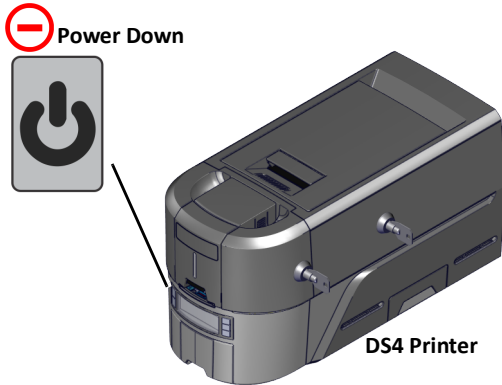


## Installation Procedure

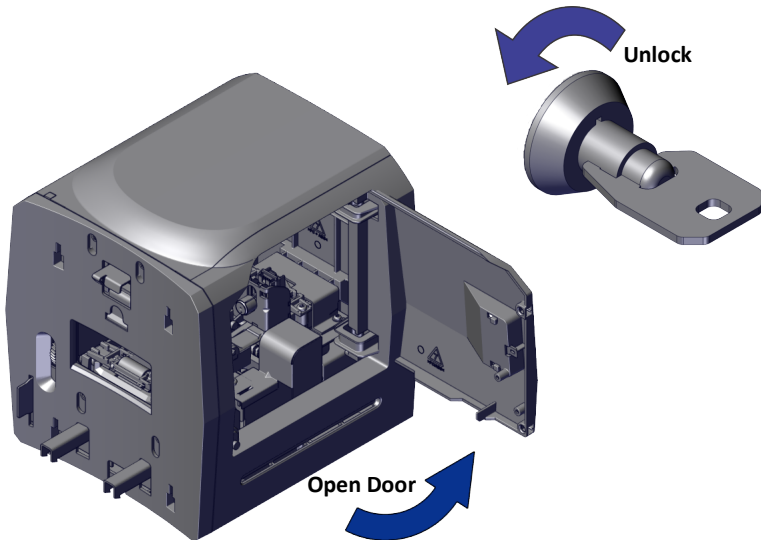
This installation of the upgrade kit adds a Rear Indent Module (RIM) to the DS4 Instant Financial Issuance System.

### Install the Hardware

1. Press the power button to power down the printer.



2. Unlock the RIM and open the side access door.

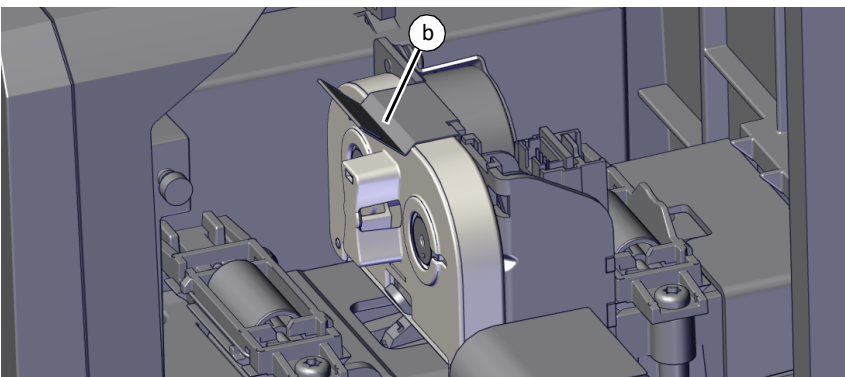
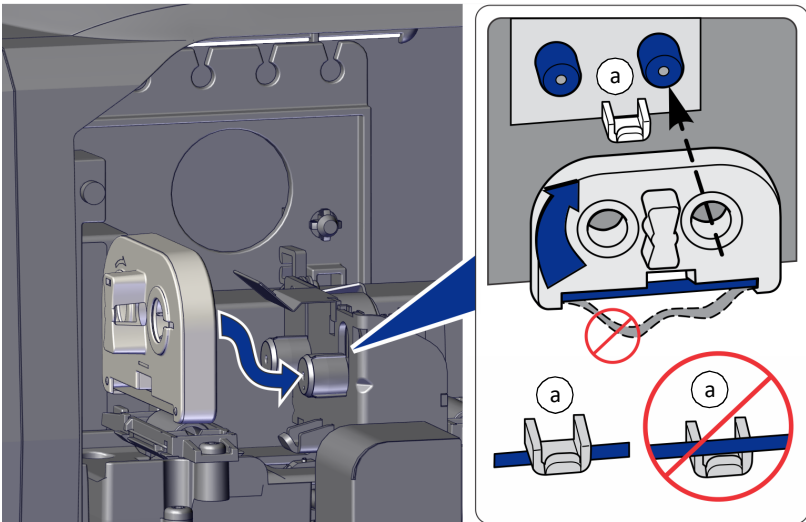


3. Remove the supply cassette from the shipping bag and position the cassette as shown.
4. Turn the left spool clockwise to remove any slack in the supply. Look into the cassette to ensure that the slack is removed from both spools and the ribbon.
5. Position and push in the supply cassette as shown to install it into the RIM.

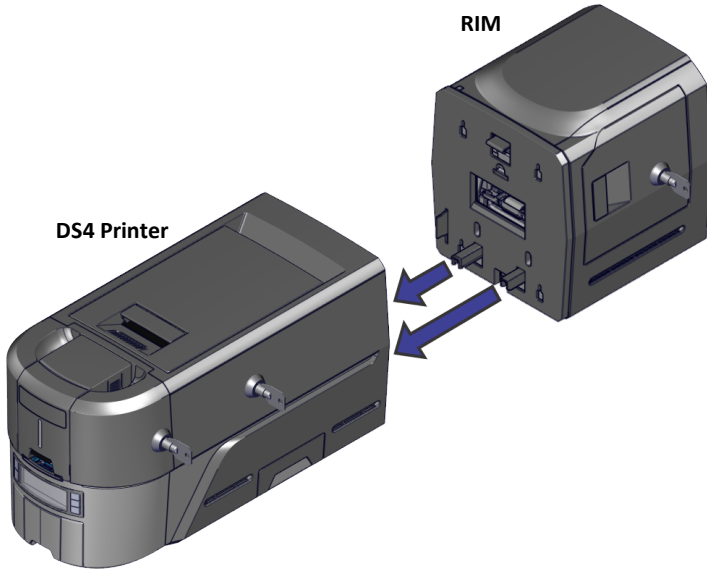


Make sure the ribbon is installed under the anvil feature (a) located beneath the supply posts.

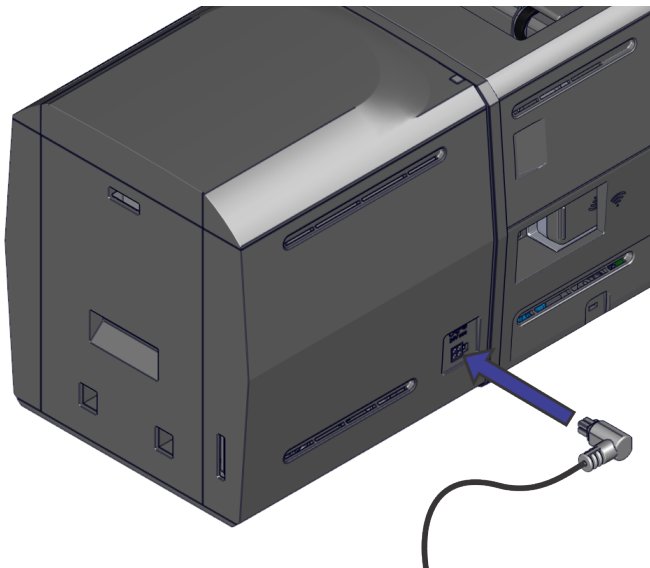
Make sure the supply cassette is secured under the clip (b) when installed.



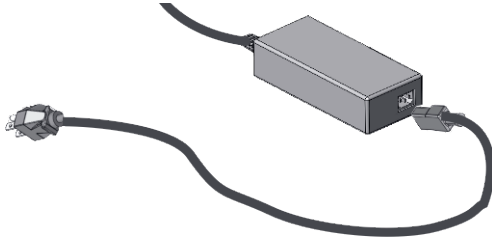
6. Close the side access door and lock the RIM.
7. Align the guide posts of the RIM with the openings at the rear base of the printer and push the module into the printer until an audible click confirms installation.



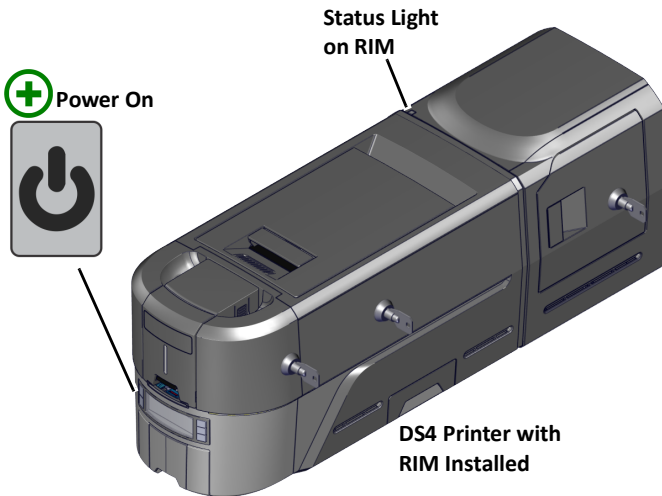
8. Plug the power supply into the RIM.



9. Plug the power cord into the power supply and the power source.



10. Press the power button and power on the printer. The status light on the RIM will turn green when ready.





# ENTRUST

1187 Park Place  
Minneapolis, MN 55379  
952-933-1223 • Fax: 952-933-7971  
[www.entrust.com](http://www.entrust.com)

Entrust, Sigma and the hexagon design are trademarks, registered trademarks and/or service marks of the Entrust Corporation in the United States and other countries.

All other product names are the property of their respective owners.

© 2021, 2022 Entrust Corporation. All rights reserved.