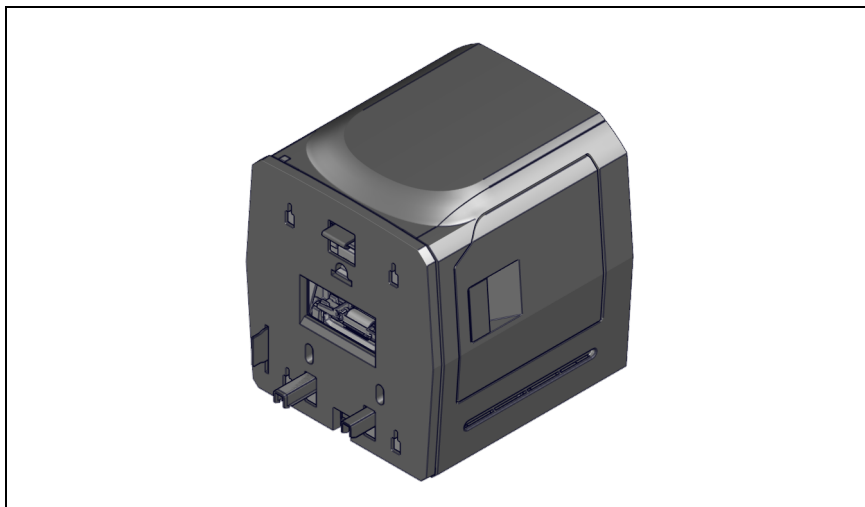




ENTRUST

TIM (Tactile Impression Module) Upgrade Installation Instructions



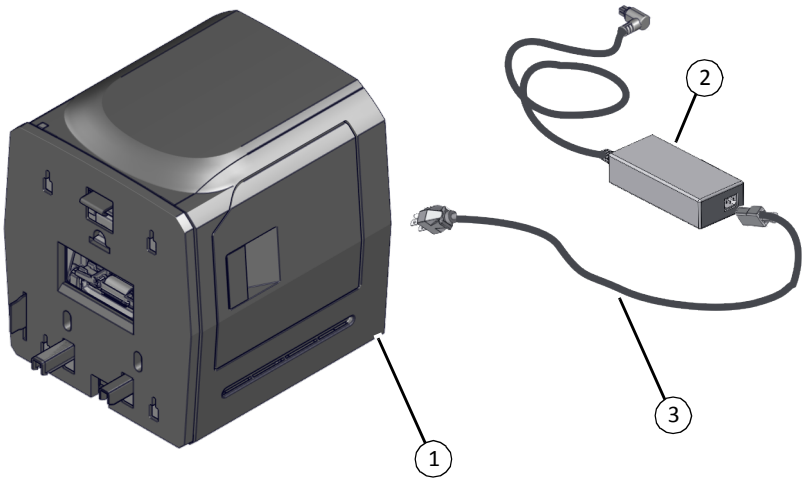
These instructions apply to the Entrust CR805™ Retransfer Card Printer and the Entrust DS3 Direct to Card Printer and the following upgrade kits:

Upgrade Kit	CR805	DS3
TIM (Tactile Impresser Module) Upgrade Kit	Yes	Yes

Upgrade Kit Contents

The following parts are included in the upgrade Kit:

Item	Qty.	Description
1	1	TIM (Tactile Impression Module)
2	1	Power Supply
3	1	Power Cord

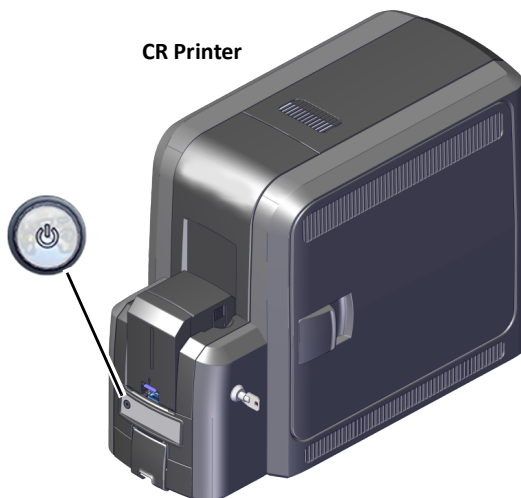
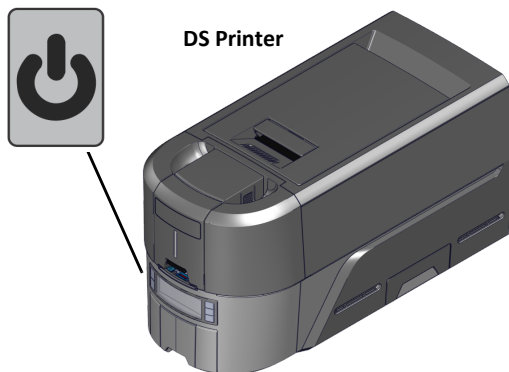


Installation Procedure

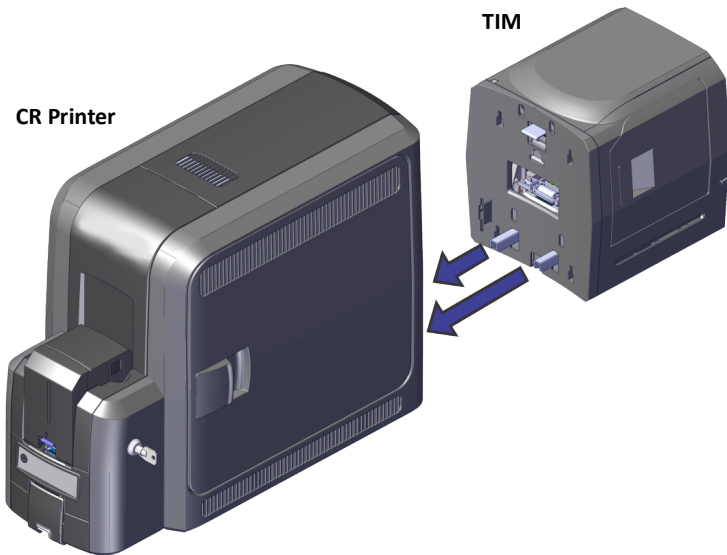
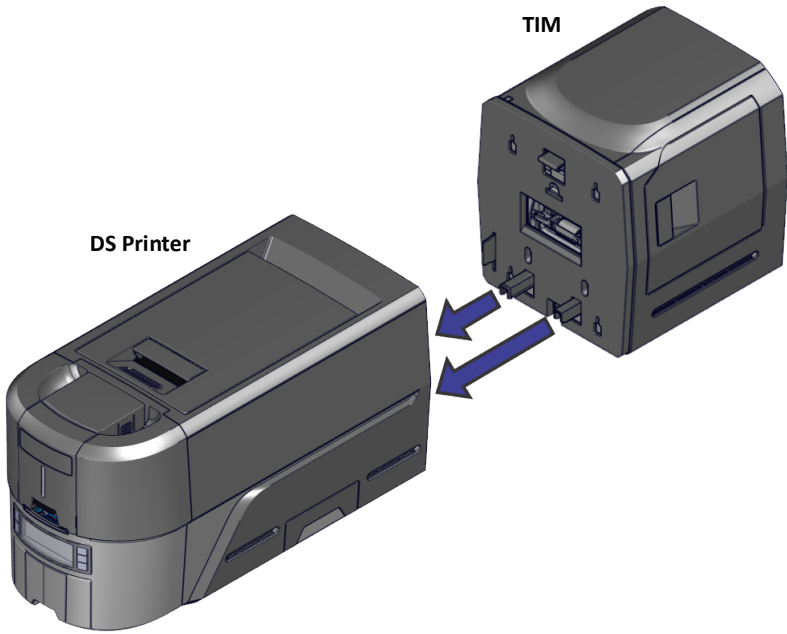
This installation of the upgrade kit adds a TIM (Tactile Impression Module) to the DS or CR Card Printer.

Install the Hardware

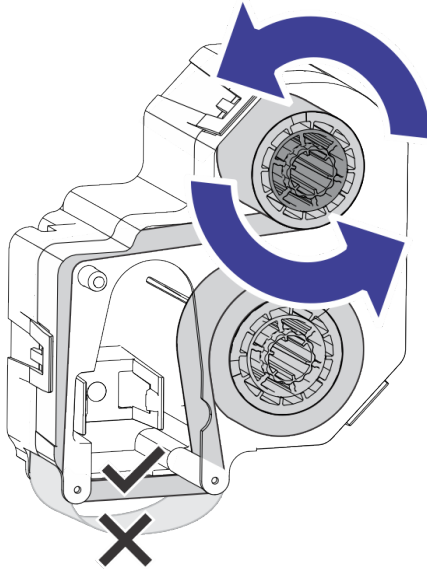
1. Press the power button to power down the printer.



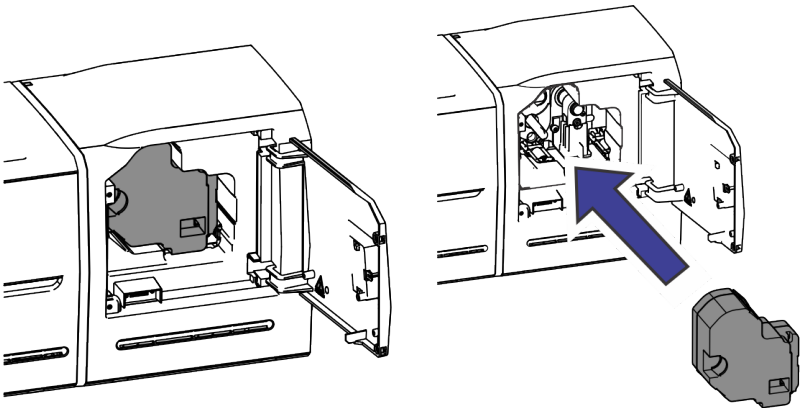
2. Align the guide posts of the TIM with the openings at the rear base of the printer and push the module into the printer until an audible click confirms installation.



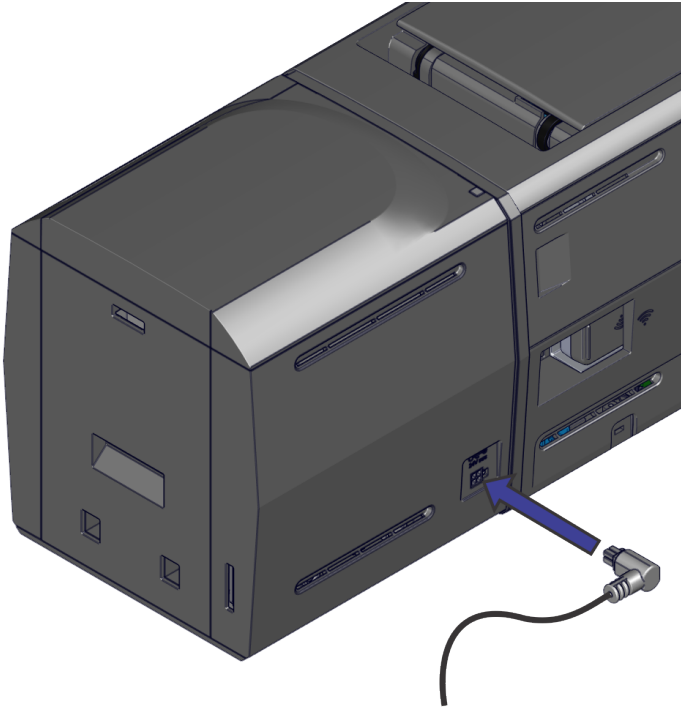
3. Unbox the supply cassette and position the cassette as shown. Turn the upper spool to remove any slack in the supply.



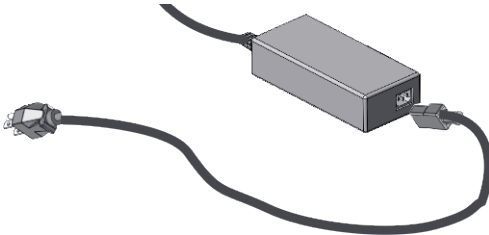
4. Open the side access door and position the cassette as shown to install it into the impresser.



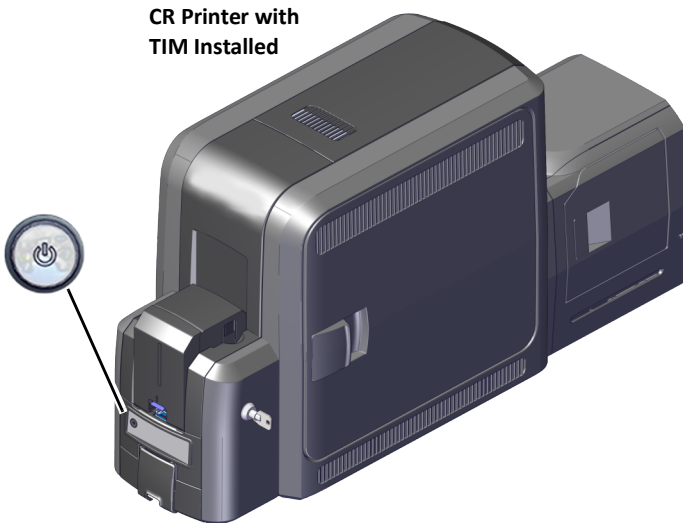
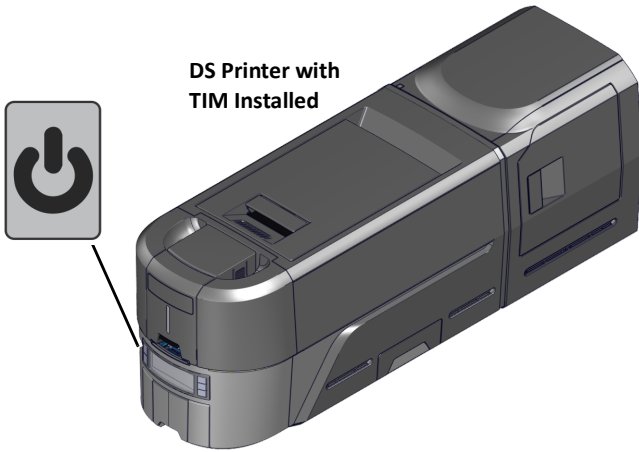
5. Plug the power supply into the impresser.



6. Plug the power cord into the power supply and the power source.



7. Press the power button and power on the printer.



8. Print a test card from the printers front panel and inspect the tactile impression on the printed card. For details on printing a test card from the front panel, refer to the printer's *User Guide*.



ENTRUST

1187 Park Place
Shakopee, MN 55379
952-933-1223 • Fax: 952-933-7971
www.entrust.com

Datacard is a registered trademark and service mark of Entrust Datacard Corporation. Entrust is a registered trademark and service mark in the United States and other countries. All other trademarks are the property of their respective owners.

© 2020 Entrust Corporation. All rights reserved.